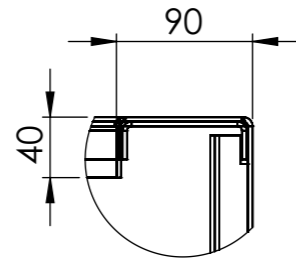
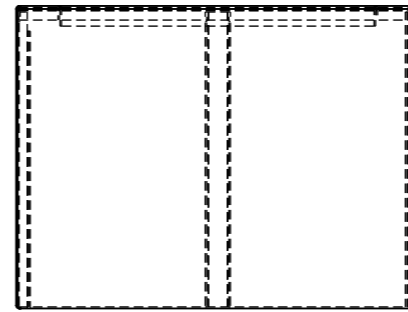
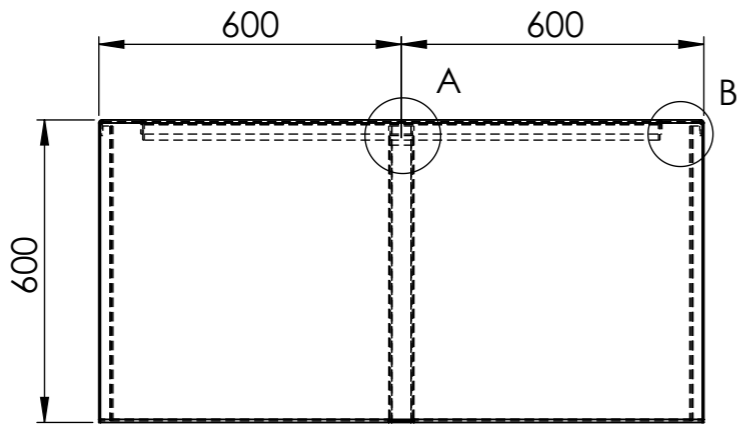
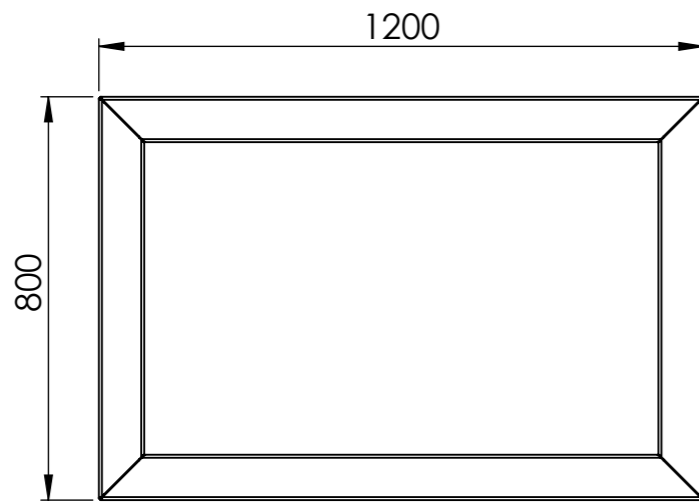
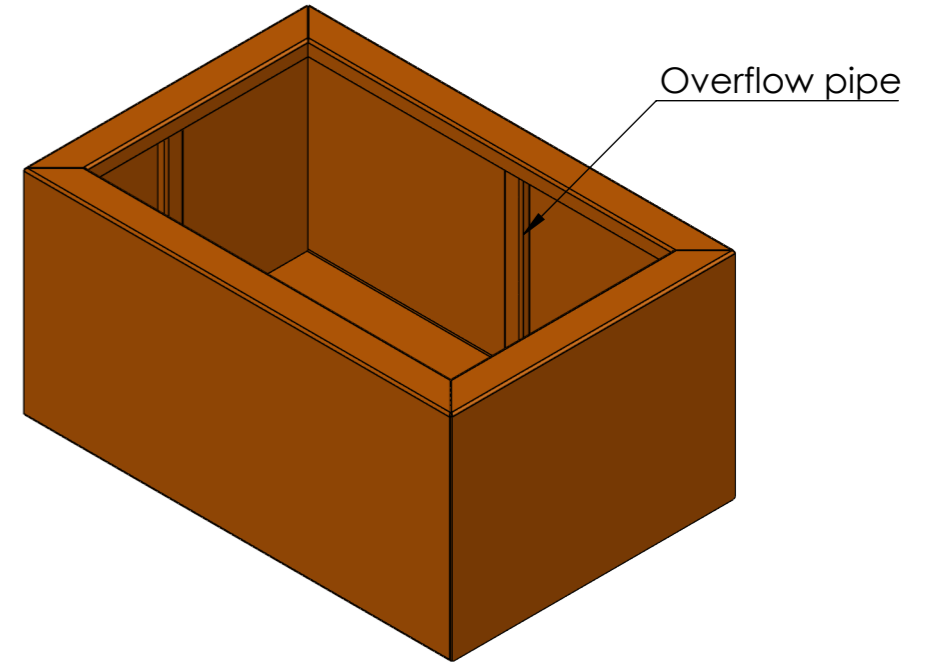


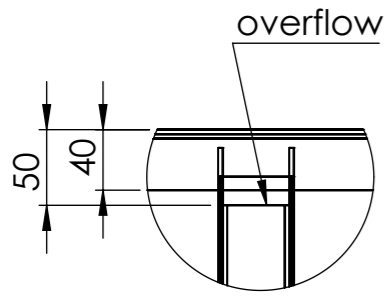
DETAIL A
SCALE 1:5



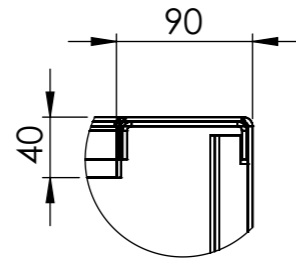
DETAIL B
SCALE 1:5



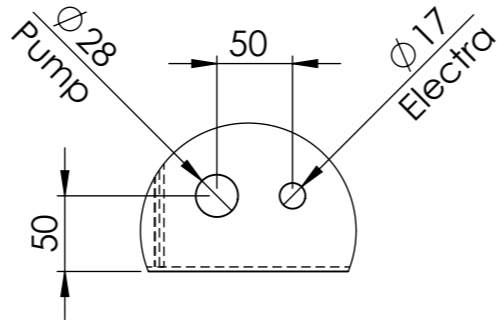
DRAWN	Luuk van den Heuvel	DATE	26-6-2023		TITLE:	Corten 3mm	
REVISION					Drawing:	VC11--	A3
		Liessentstraat 4, 5405 AG Uden (NL). † 0031 (0)413 - 27 41 68. e info@adezz.com, i www.adezz.com		Color:	-	Mass (kg):	103,52
				SCALE:1:15	SHEET 1 OF 10		



DETAIL A
SCALE 1 : 5



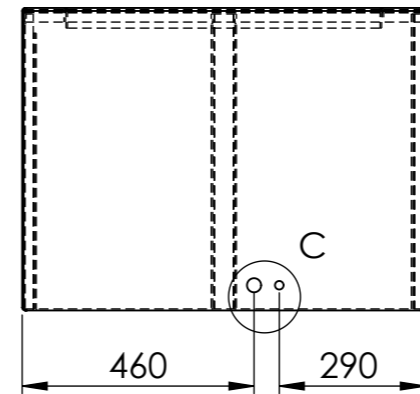
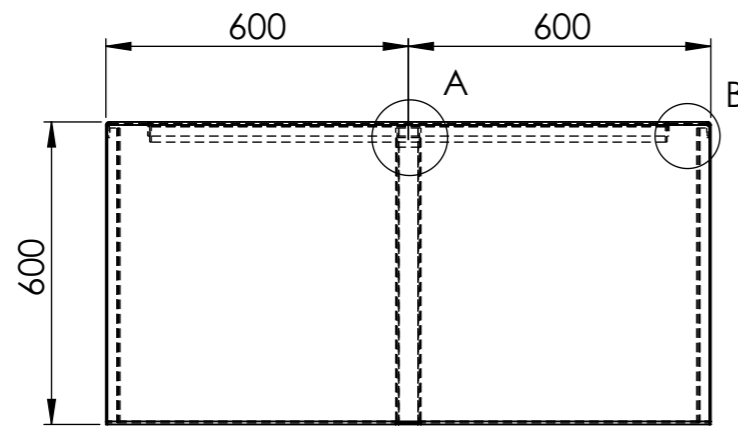
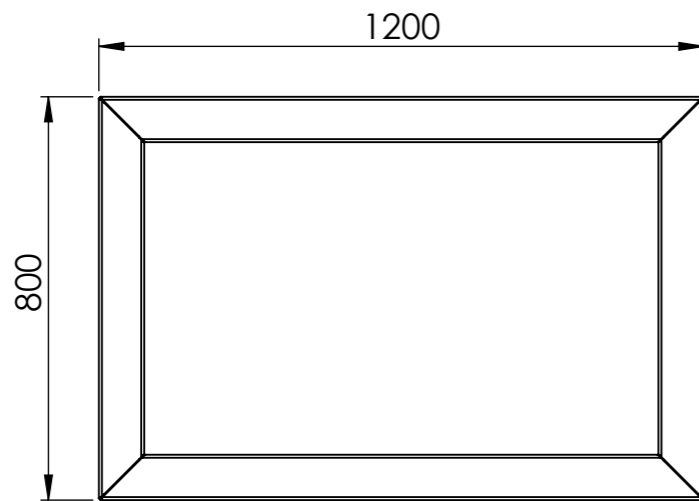
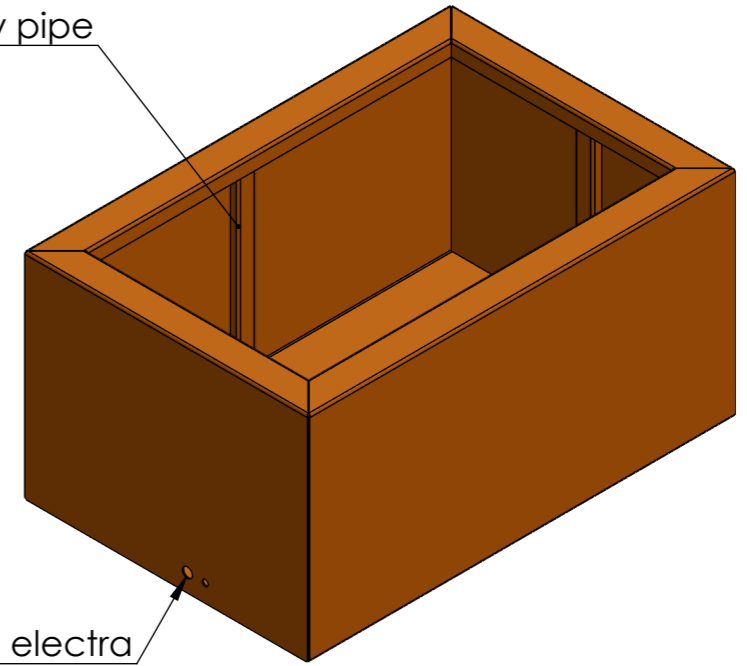
DETAIL B
SCALE 1 : 5



DETAIL C
SCALE 1 : 5

Overflow pipe

Pump and electra



		DATE		TITLE:
DRAWN	Luuk van den Heuvel	26-6-2023		
REVISION				

Corten 3mm

ADEZZ
DESIGN TO GROW

Liessentstraat 4, 5405 AG Uden (NL).
t 0031 (0)413 - 27 41 68.
e info@adezz.com, i www.adezz.com

Drawing.

VC11--

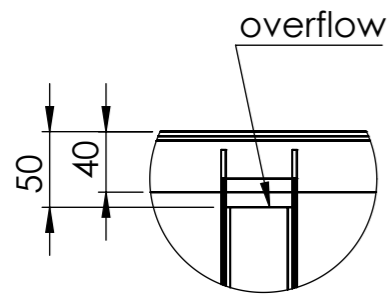
A3

Color: -

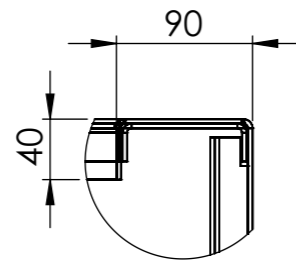
Mass (kg): **103,50**

SCALE:1:15

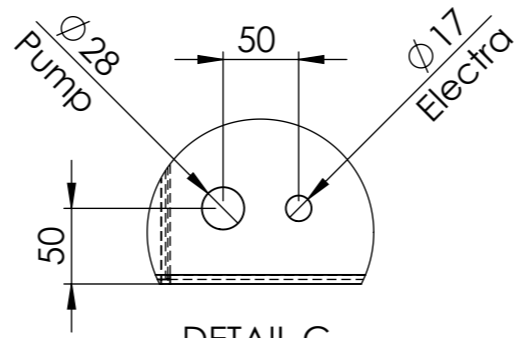
SHEET 1 OF 10



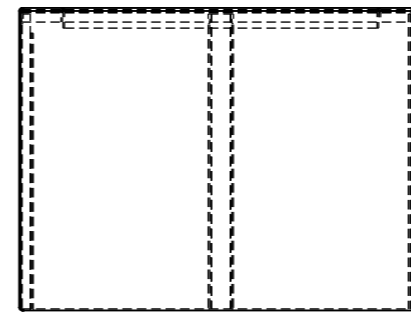
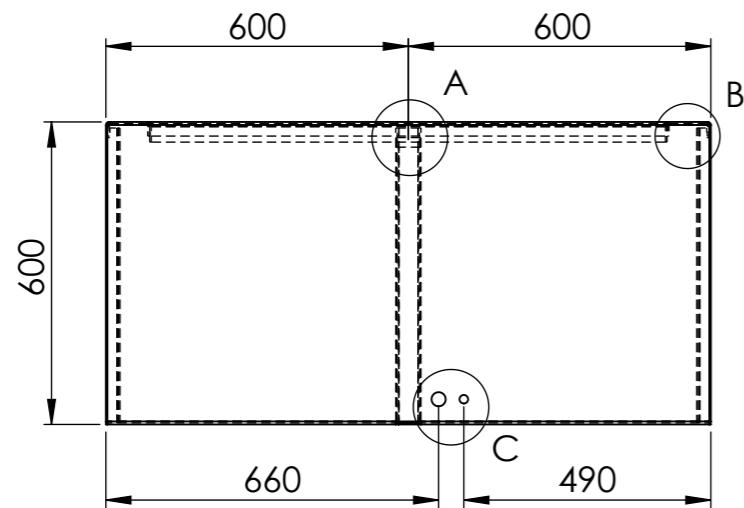
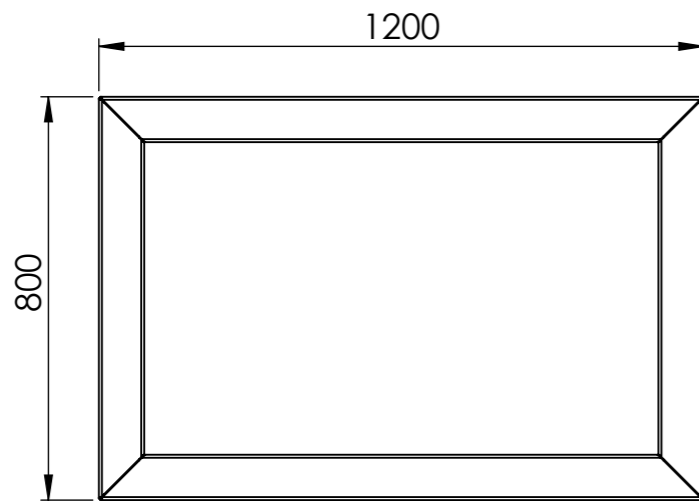
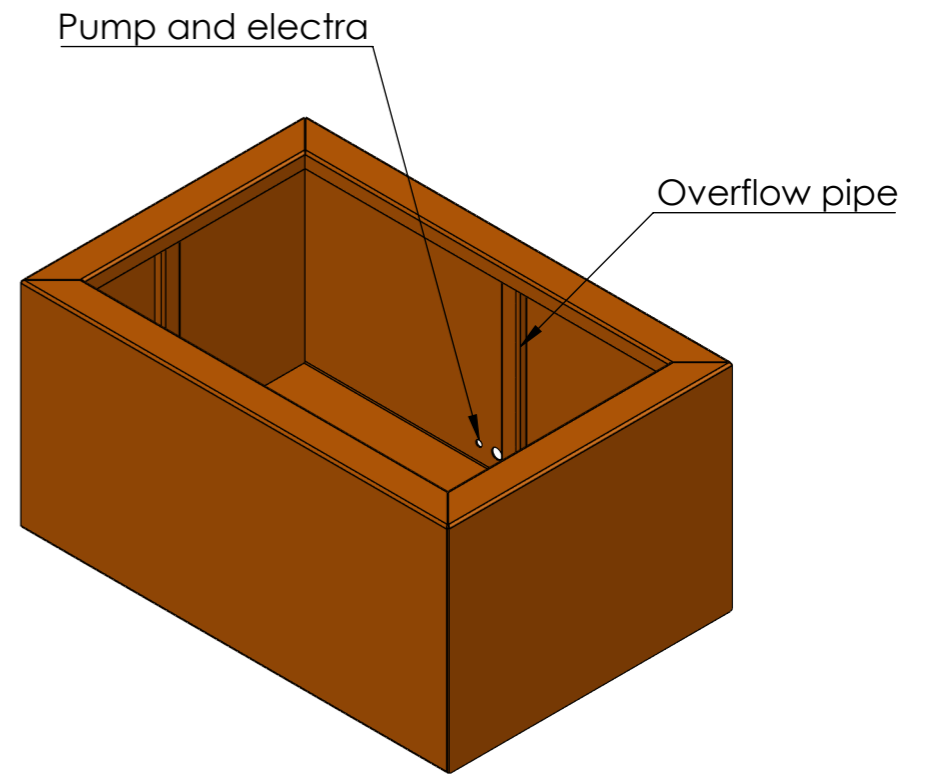
DETAIL A
SCALE 1:5



DETAIL B
SCALE 1:5



DETAIL C
SCALE 1:5



DRAWN	Luuk van den Heuvel	DATE	26-6-2023		TITLE:	Corten 3mm	
REVISION					Drawing:	VC11--	A3
		Liessentstraat 4, 5405 AG Uden (NL). t 0031 (0)413 - 27 41 68. e info@adezz.com, i www.adezz.com		Color:	-	Mass (kg):	103,50
				SCALE:	1:15	SHEET 1 OF 10	